

906618 Devonshire Gazebo





WARNING

When assembling and using this product, basic safety precautions should always be followed to reduce the risk of personal injury and damage to the product.

Please read all instructions prior to assembly and use.

Some parts may contain sharp edges. Wear protective gloves if necessary. It is recommended to have 3 people available for a safe assembly.

Keep all children and pets away from assembly area.

Begin assembly no less than 8 ft. from any obstruction such as a fence, house, overhanging branches, laundry lines or electrical wires.

Install on level ground.

The gazebo is intended for decorative and sunshade purposes and is not considered a permanent structure. It is not meant to withstand extreme weather conditions, including high wind, heavy rain or snow. Weather related damages will not be covered by the manufacturer.

Side extensions are NOT to be used to hang or support weight. When sides are down, secure to legs with the Velcro straps.

The canopy is water resistant, not waterproof and may leak during exposure to precipitation.

Keep all flame and heat sources away from material. It is not fireproof. It will burn if left in contact with any flame source.

The application of any foreign substance to the canopy may render the flame resistant properties ineffective.

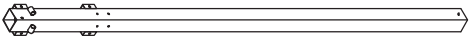
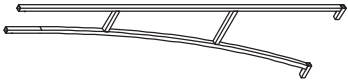





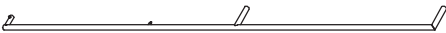



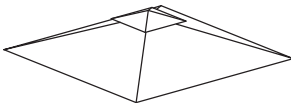







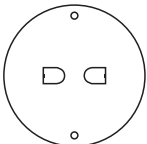

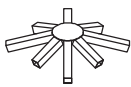
It is recommended to remove canopy cover and side panels in the event of high winds or impending severe weather.

It is recommended to remove canopy and side panels while not in use to prolong the life of the canopy.

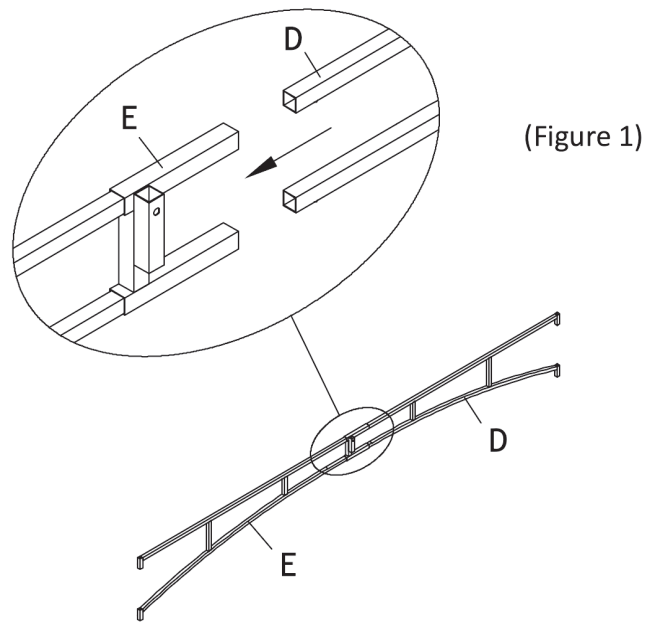
Gazebo is not meant as a year round structure. It is recommended to be taken down and stored in a dry location during the winter. Wipe down and dry off metal parts. Canopy should also be dried prior to storage.

The gazebo is crafted from steel and finished with a powder coat finish to prevent rust. It is recommended to periodically inspect your gazebo for any scrapes or chips and touch up with paint for metal from your local hardware store.

Parts list

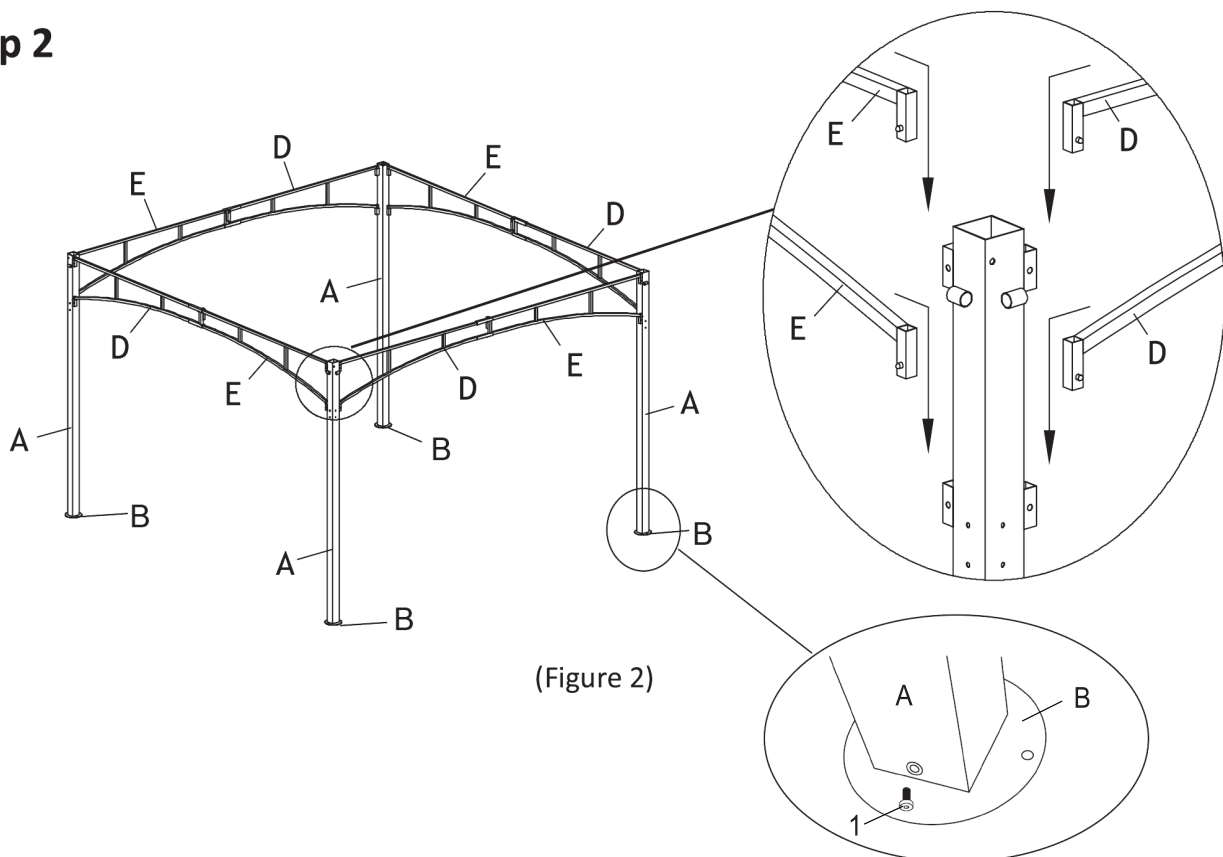
 <p>A x 4PCS</p>		 <p>D x 4PCS</p>	
 <p>E x 4PCS</p>		 <p>F x 4PCS</p>	
 <p>G x 4PCS</p>		 <p>H x 3PCS</p>	 <p>H1x 1PC</p>
 <p>J x 4PCS</p>		 <p>L x 4PCS</p>	
 <p>M x 4PCS</p>			
 <p>P x 4PCS</p>	 <p>O x 1PC</p>	 <p>N x 2PCS</p>	 <p>Q x 30PCS</p>
 <p>R x 12PCS</p>	 <p>S x 4PCS</p>	 <p>M6x15mm ① x 20PCS</p>	 <p>② x 8PCS</p>
 <p>T x 4PCS</p>	 <p>B X 4PCS</p>	 <p>C X 1PCS</p>	 <p>I x 1PC</p>

Step 1



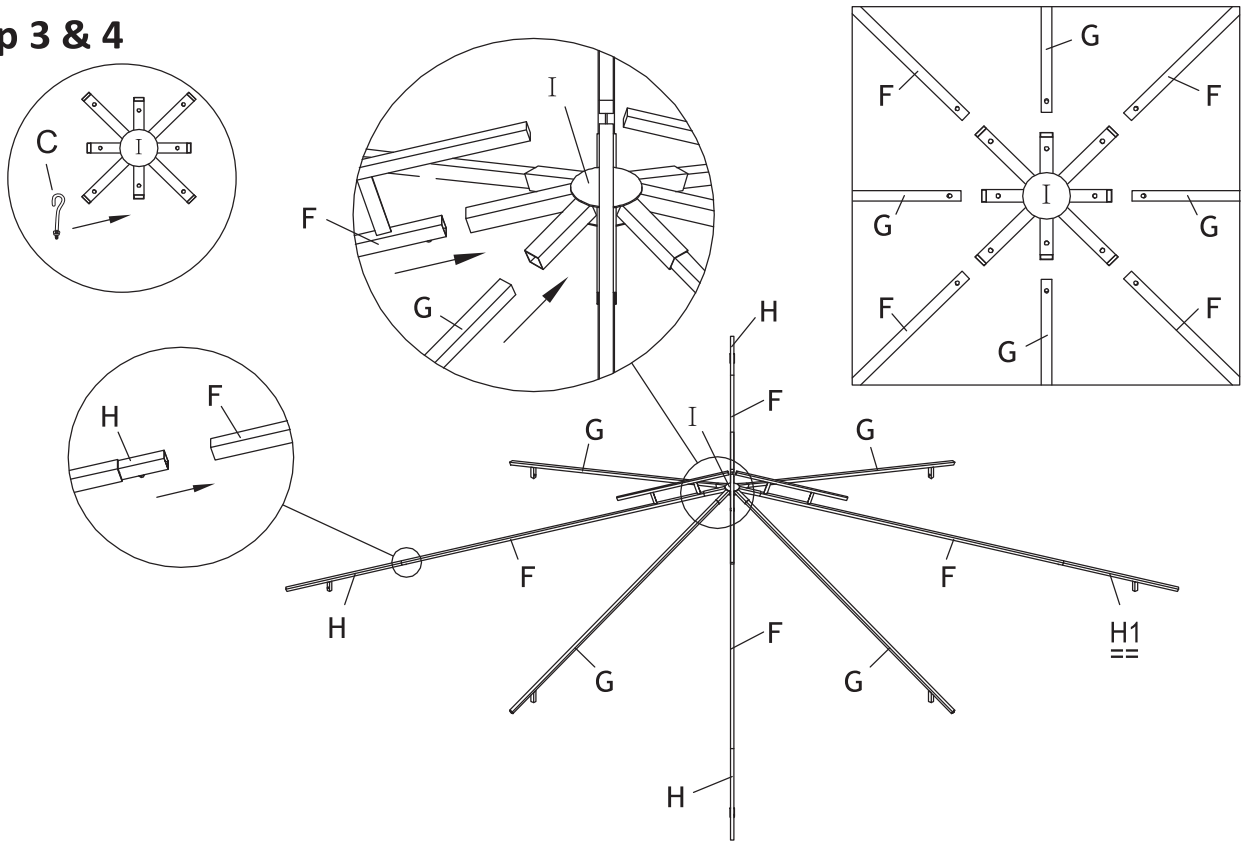
Step 1-Assemble Part D Side Panel with Part E Side Panel. Repeat for all 4 sides.

Step 2



Step 2-Set Corner Posts (A) as shown in Figure 2. Slide Side Panels that were assembled in Step 1 into the metal pockets until the push pins snap into place. Repeat for all 4 sides.

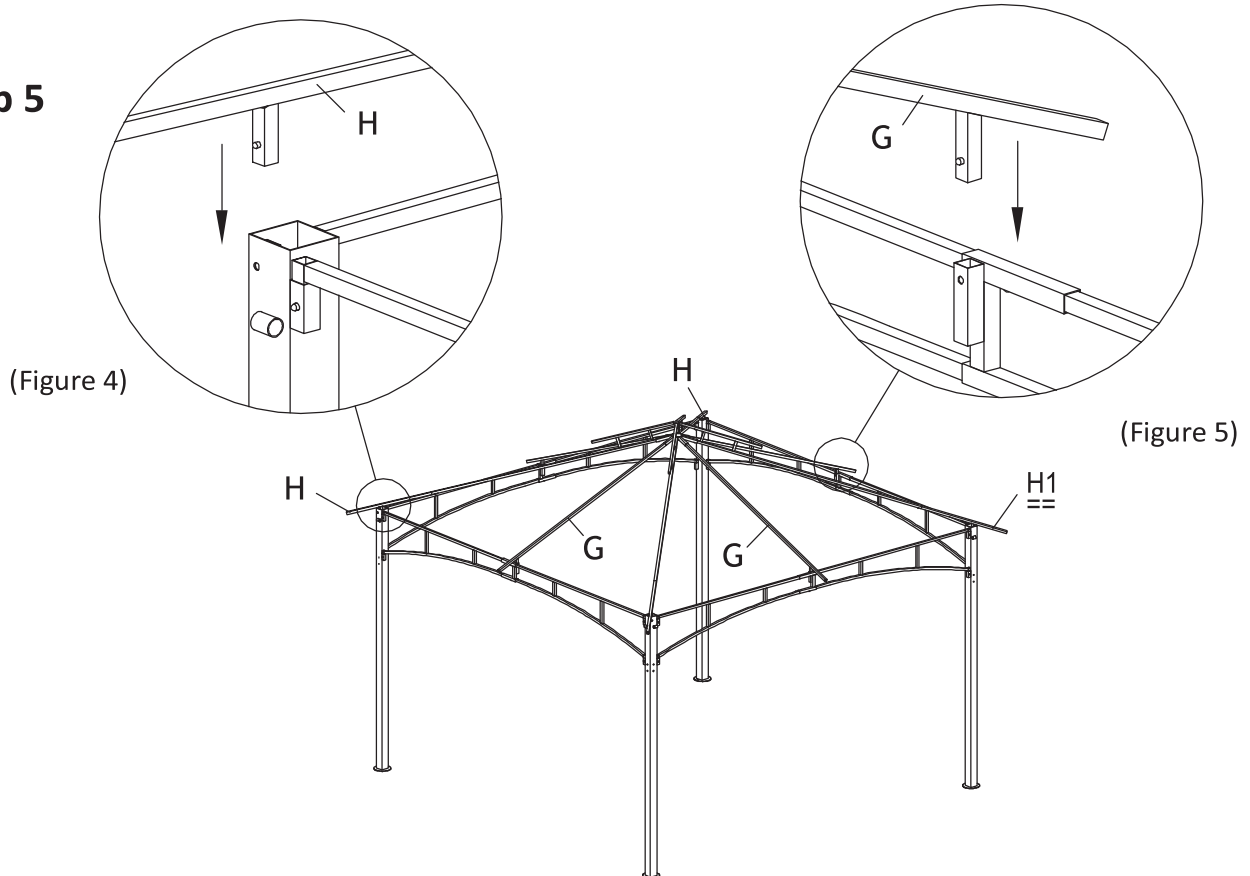
Step 3 & 4



Step 3-Insert Part F Roof Support into Part I Top Center Hub. **NOTE**-the step on Part F, should face up when inserting into Part I. Insert Part G into Part I Top Center Hub. **NOTE**-Part F and Part G should alternate when inserting into Part I.

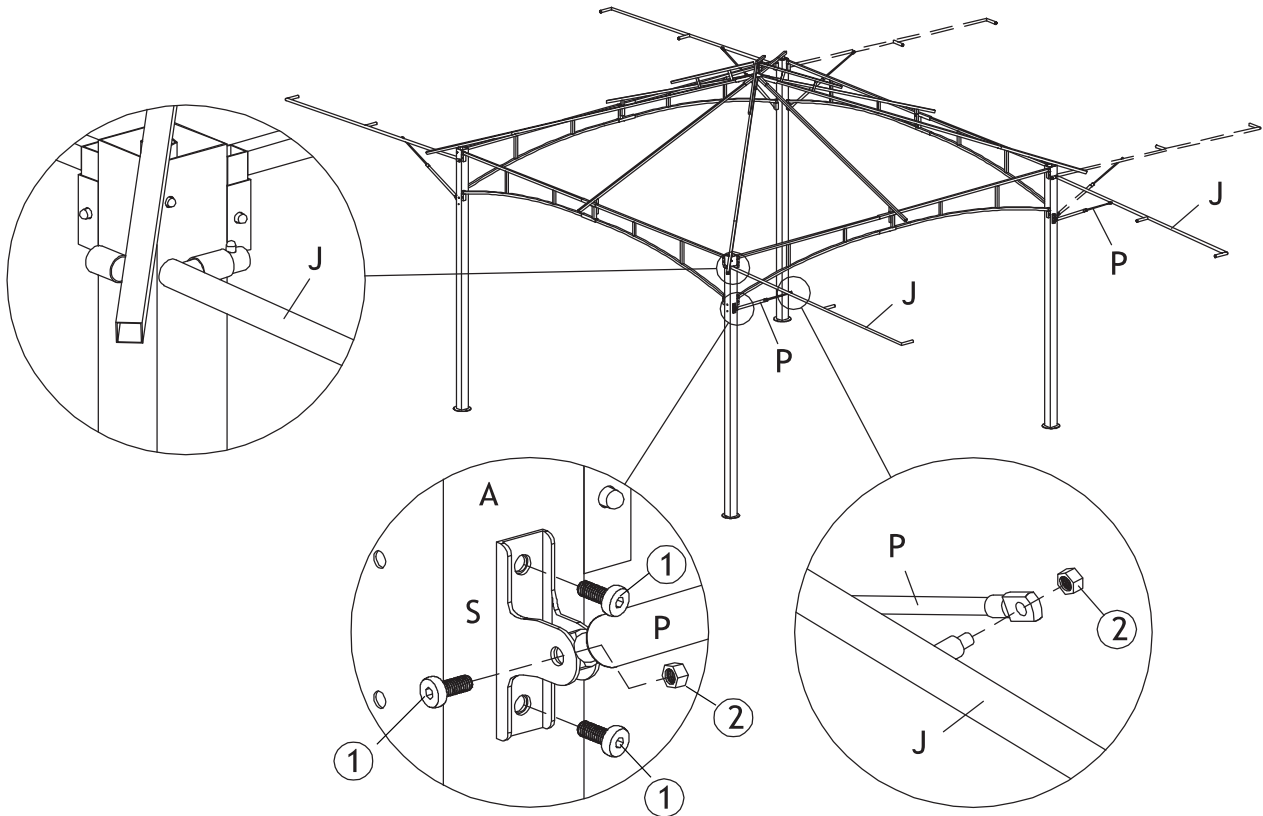
Step 4-Insert Part H (or H1) Extension into Part F Roof Support. **NOTE**-The small bar extrusion should be facing down.

Step 5



Step 5-Lift the Roof Structure that was assembled in Step 3 and Step 4 over the Frame. The longer roof supports (Part F and Part H) will fit into the corner pots (Figure 4). The shorter roof supports (Part G) will fit into the center side panels (Figure 5). Insert into metal pockets until the push pins snap into place.

Step 6 & 7

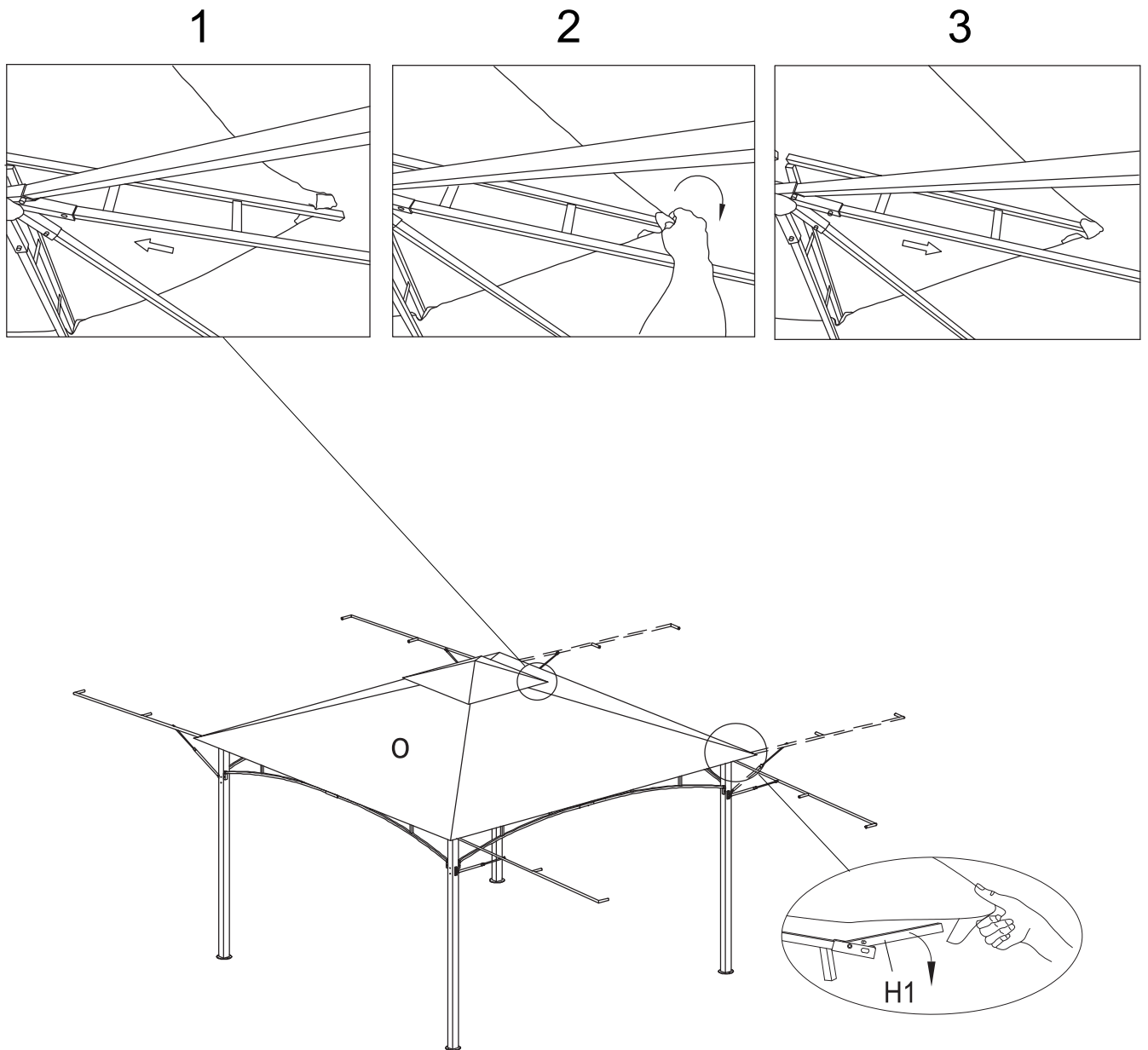


NOTE-The two Side Extensions can be placed on any of the four sides and can be interchangeable from side to side.

Step 6- Slide Part J Side Support into the top metal ring located on the Part A Corner Post (Figure 6) until the push pin snaps into place. Repeat for the second side.

Step 7 - Side Part P Arm Support into the lower metal ring located on Part A Corner Post until the push pin snaps into place (Figure 7). Slide the Part P Arm Support into the connector on Part J Side Support (Figure 8). Repeat on the second side.

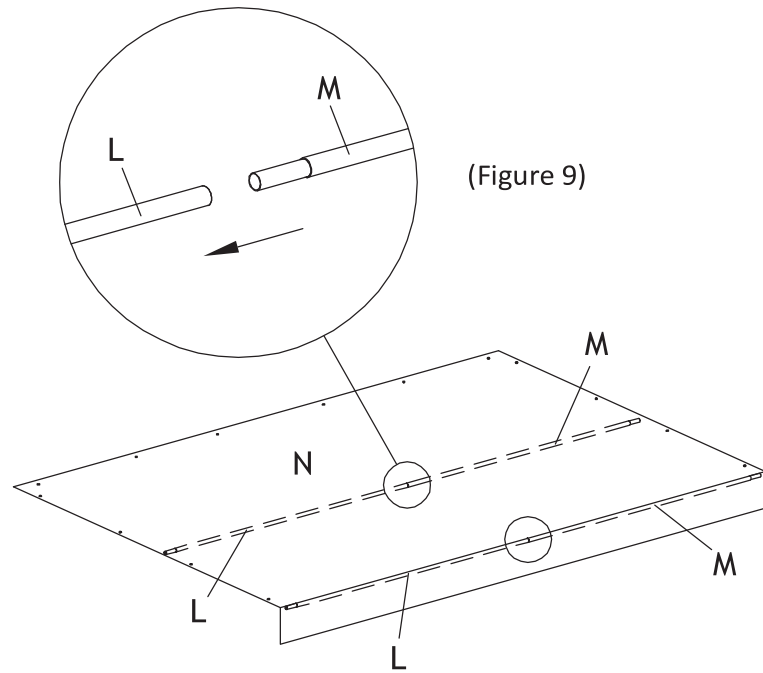
Step 8



Step 8-The canopy is designed to have a tight fit on the frame of the gazebo. It is important that you put the canopy on the top frame correctly so you do not have to manually pull the canopy corners into place. Following instructions properly concerning Part H will make putting your canopy on much easier.

When putting your canopy on the gazebo it is important that you depress the push pin on part H so the extending arm flips up. Secure all three corners of the canopy on the frame leaving Part H1 as the last canopy corner to secure. **It is important that you leave the corner with part H1, as the last canopy corner to secure. With the extending arm up, put the corner pocker of the canopy in place over part H1. Slowly pull Part H1 down until the push pin pops into place.

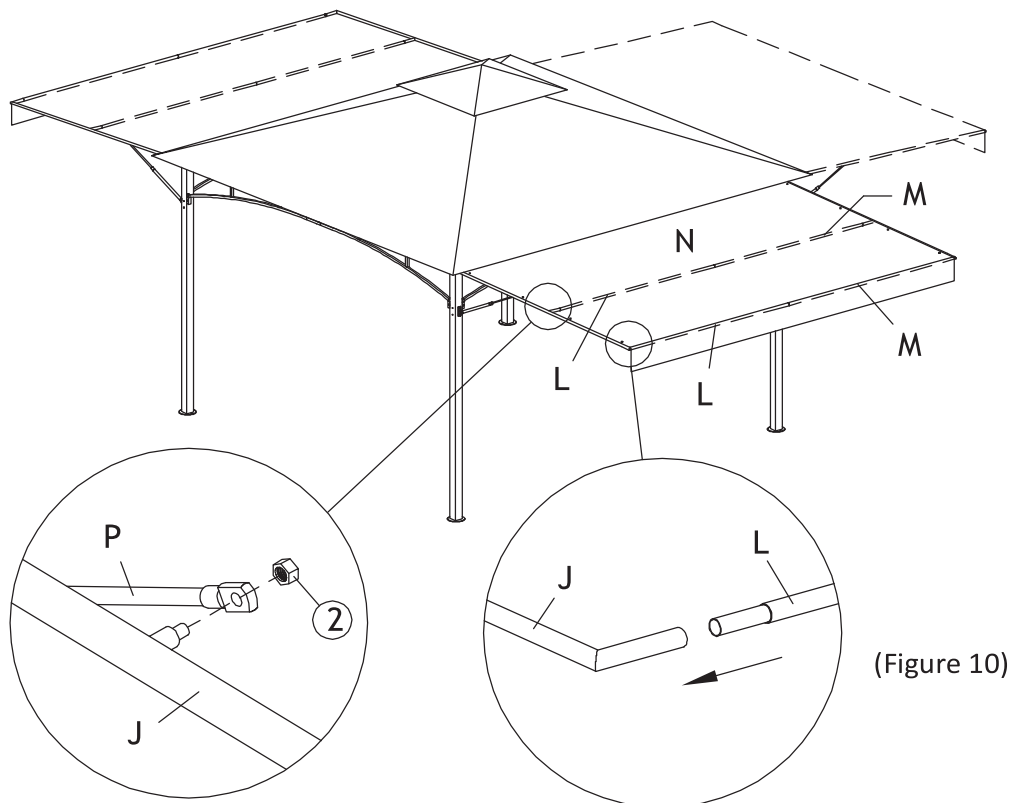
Step 9 & 10



Step 9- Connect Part L Shade Support and Part M Shade Support (Figure 9) . Repeat for the second set.

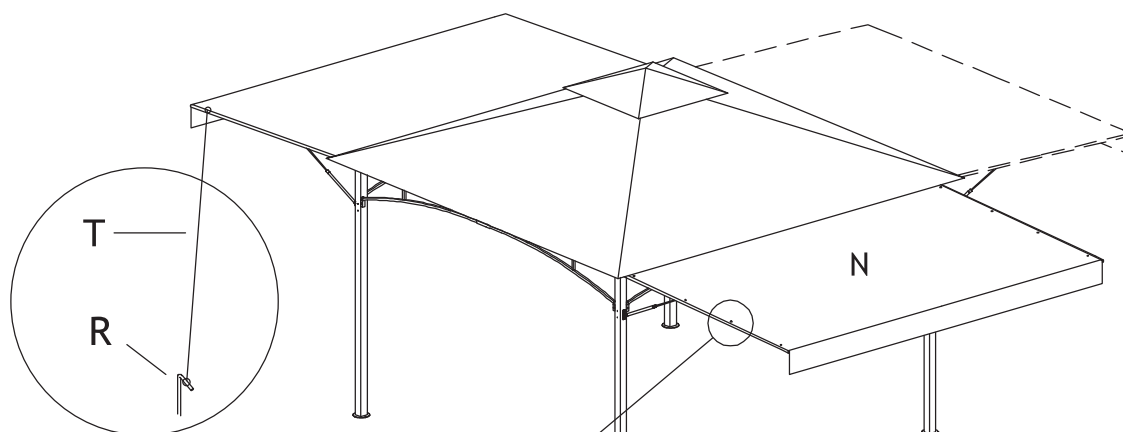
Step 10-Slide the parts from Step 9 into the fabric pockets of Part N Side Cover. Repeat for the second side panel

Step 11

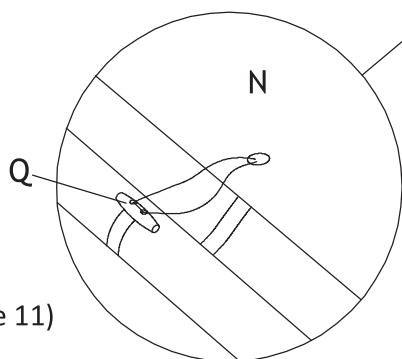


Step 11-Lift side panel assembled in Step 10 and attach to Part J Side Support as shown in Figure 10. Repeat on the opposite side.

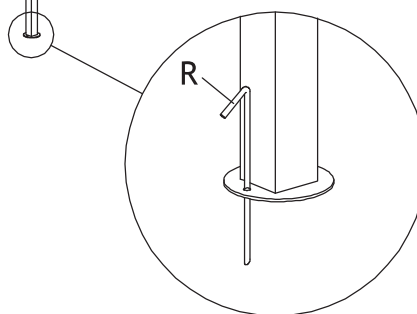
Step 12



(Figure 14)



(Figure 11)



(Figure 12)

Step 12-Fasten Part Q Bungee Ties to Side Panel Frame. See Figure 11

Step 13- Insert Part R Ground Stakes in the bottom of each leg frame as shown in Figure 12. There are two holes for stakes in the bottom of each leg.

Step 14- OPTIONAL – Part T – Tie Down Rope can be tied to the extending side frame, part J and part K. This will not prevent potential damaged due to high winds. This is meant as a shade structure.

NOTE-Each Side panel can be folded down and secured to the frame with the Velcro Straps at the base of the leg.



BACKYARD *expressions*

PATIO • HOME • GARDEN

Please help us give you the best possible service by emailing your parts & service needs to: CustomerService@DDIcorp.com

Emails are responded to daily and are the fastest and most accurate way to communicate item/parts needs. Purchase receipt is necessary for any warranty claim or assistance.

In addition to your purchase receipt please include the following information in your email:

Item Name	Devonshire Gazebo w/hydraulic hinges
Item Code or UPC Code (Begins with 6-81129-)	681129066186
Specific Issue	
Part Needed—Please Identify from Assembly Instructions	
Your Shipping Address	

Parts and parts listings for many of our products can be found at:
<https://backyard-expressions.com/collections/replacement-parts>

PRODUCT WARRANTY SHALL NOT APPLY TO ANY PRODUCT OR ANY PART THEREOF, WHICH HAS BEEN SUBJECT TO ACCIDENT, NEGLIGENCE, WEATHER RELATED DAMAGE, ALTERATION, ABUSE, OR MISUSE OR TO PRODUCT SOLD AS-IS, END OF SEASON, OPEN BOX OR OTHER SUBSTANTIALLY DISCOUNTED PRODUCT.

DDI MAKES NO WARRANTY WHATSOEVER IN RESPECT TO ACCESSORIES OR PARTS NOT SUPPLIED BY US.

DDI IS NOT RESPONSIBLE FOR ANY INCIDENTAL OR CONSEQUENTIAL DAMAGES, WHICH MAY ARISE OUT OF THE PURCHASE OR USE OF ANY DDI PRODUCT.

PRODUCT LIABILITY FOR ANY BREACH OF THIS WARRANTY SHALL BE AT THE DISCRETION OF DDI AND LIMITED TO REPAIR OR REPLACEMENT OF THE DEFECTIVE PRODUCT.

WARRANTY CLAIMS RECEIVED 90 DAYS AFTER PURCHASE DATE (RECEIPT REQUIRED) MAY BE SUBJECT TO ADDITIONAL COSTS AND ARE ASSESSED BY THE WARRANTY CLAIM DEPARTMENT.

– if you prefer you may also leave a message or send a text to this number: 1-612-888-7550–
Your message will be replied to in the order received.